

1

2

3

4

IMO Precision Controls Ltd - Frobisher Way, Hatfield, Herts. UK AL10 9TG

DESIGN SUBJECT TO CONTINUOUS IMPROVEMENT - COPYRIGHT IMO 2022

www.imopc.com

Tel: +44 (0) 1707 414 444

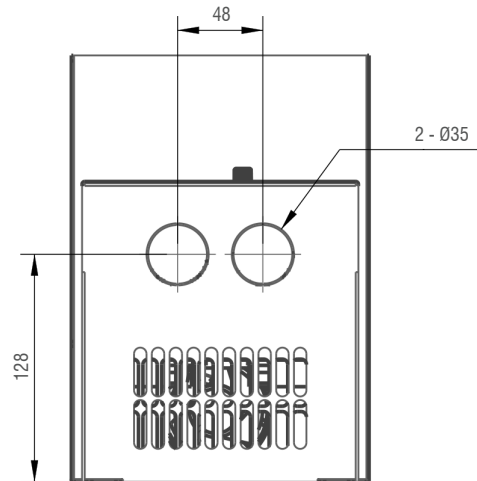
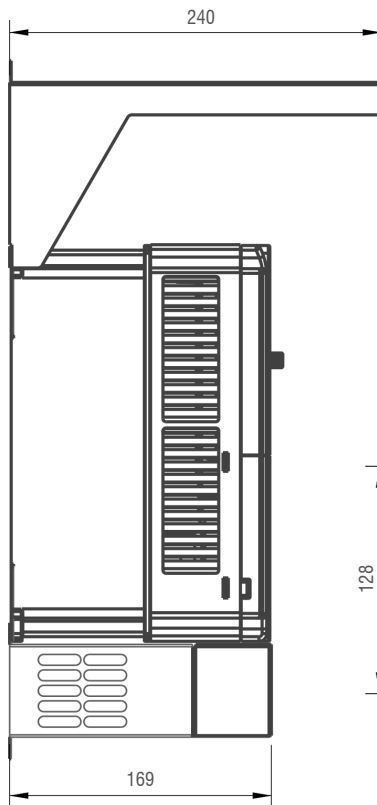
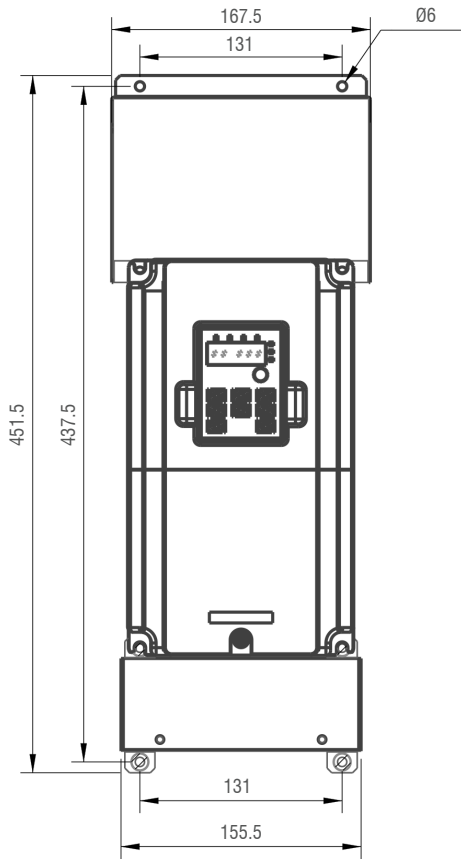
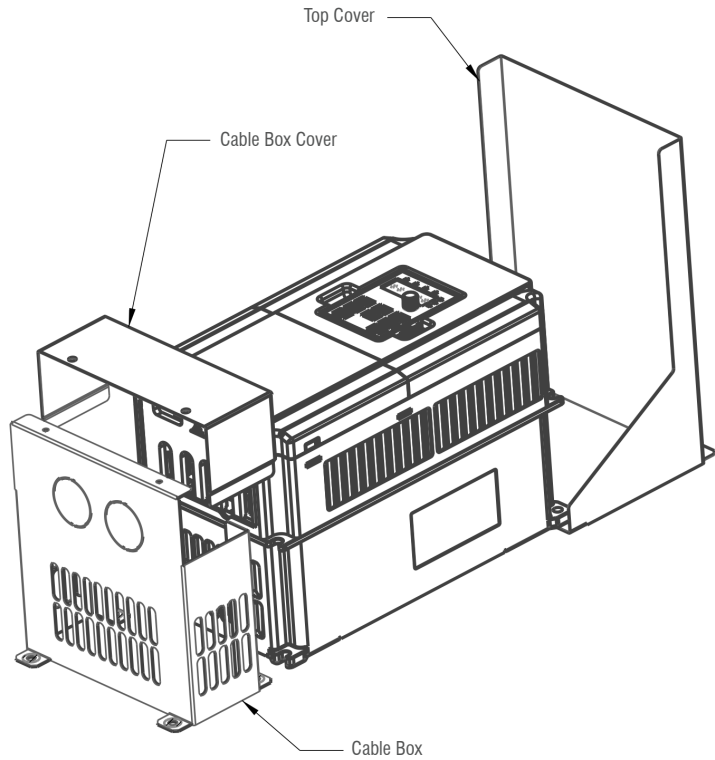
REVISION RECORD

REV	DESCRIPTION	DRFT	DATE
IM 1	SD1-NK1-3	RL	28.10.22


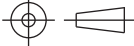
Applicable Part No's.

SD1-9.5A-43

SD1-14A-43



MM (INCH)	ANGLES ± 1°	MATERIAL:	FINISH:	DO NOT SCALE DRAWING	
TOLERANCES EXCEPT AS NOTED	APPROVED: JJ 28.10.22		DRFT: RL 28.10.22	SCALE 1:1	SHEET 1/1

 <b>IMO Precision Controls Ltd</b>	NAME: <b>SD1-NK1-3</b>	 THIRD ANGLE PROJECTION
	DRAWING #: IM 1 SD1-NK1-3	

1

4